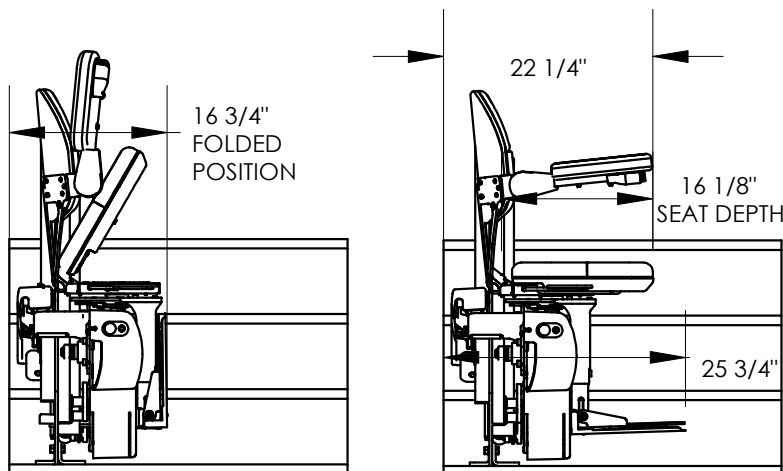


## TECHNICAL DATA/SPECIFICATION

MODEL: CRE-2110 ELITE CURVE  
 RATED LOAD: 400 LBS, ONE PASSENGER  
 POWER SOURCE: 24 VOLT DC COMPRISED OF (2) 7 AMP/HR  
 12 VOLT SEALED BATTERIES  
 110 VOLT AC 1.5 AMP, 24 VOLT DC 2 AMP  
 CONTINUOUS MONITORING CHARGER.  
 DRIVE: 24 VOLT DC DIRECT DRIVE GEAR-MOTOR, 2 POLE  
 RATED .68 HP, 58:1 RIGHT ANGLE SELF LOCKING  
 GEARBOX, 41.5 RPM NO LOAD RPM OUTPUT SPEED.  
 SUSPENSION: RACK & PINION - INTEGRATED 8DP GEAR RACK  
 ON RAIL WITH A SPUR GEAR ON THE OUTPUT  
 SHAFT OF THE GEAR BOX.  
 BRAKING: DYNAMIC MOTOR BRAKING THROUGH THE MOTOR  
 CONTROLLER, SELF LOCKING WORM GEAR, AND  
 ELECTRO-MECHANICAL MOTOR BRAKE.  
 CONTROLS: CONTINUOUS PRESSURE ROCKER SWITCH LOCATED  
 ON THE ARM REST AND WALL MOUNTED CALL/SEND  
 CONTROLS LOCATED AT BOTH THE TOP AND BOTTOM  
 LANDINGS.  
 ANGLES: 0 TO 45 DEGREES (SPECIALS UP TO 50 DEGREES) RIGHT  
 OR LEFT HAND ORIENTATIONS.  
 FINAL LIMIT SWITCH STANDARD

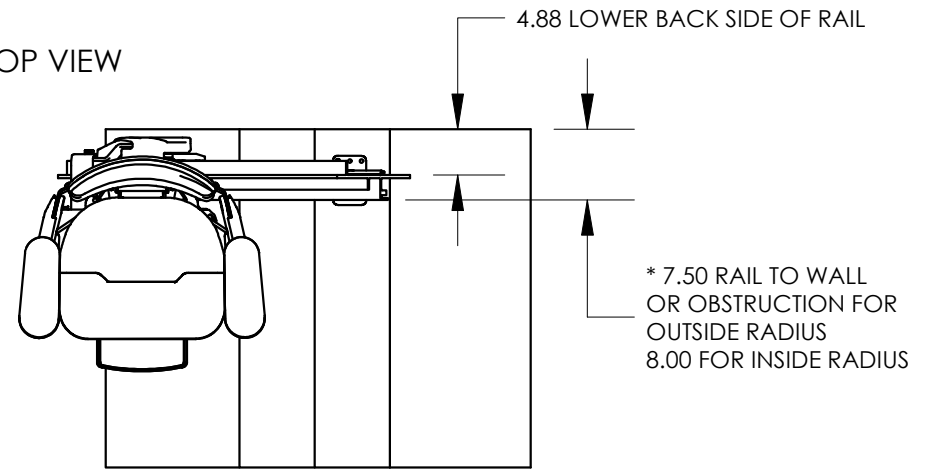
### OPTIONS:

- 1) KEYED CALL/SEND CONTROLS,
- 2) KEYED CONTROL ON CHAIR,
- 3) COMMERCIAL PACKAGE W/OVERSPEED SAFETY BRAKE.

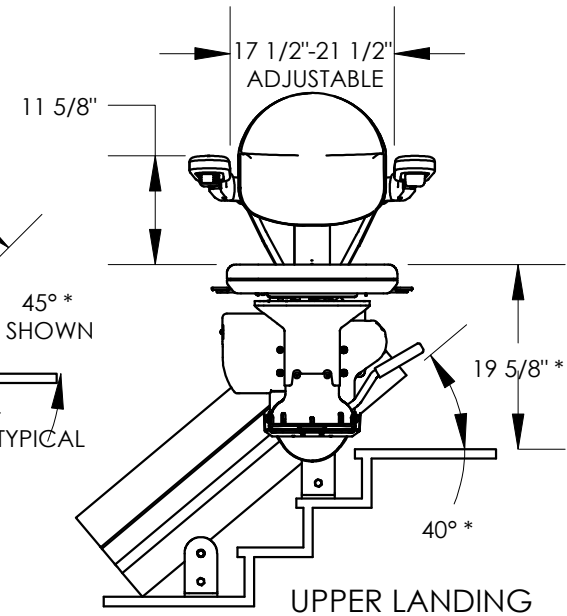
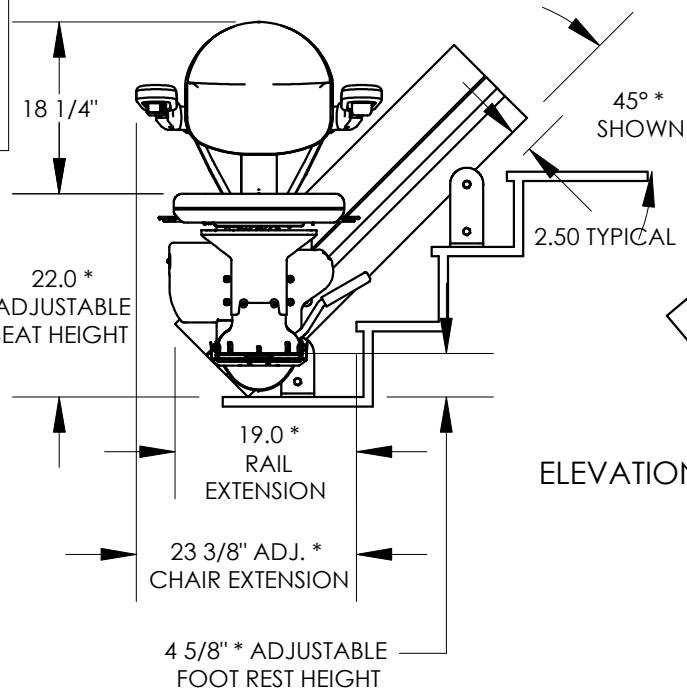


DIMENSIONS ARE BASED ON 7.5" RAIL TO WALL POSITION  
 SIDE VIEWS

### TOP VIEW



### LOWER LANDING



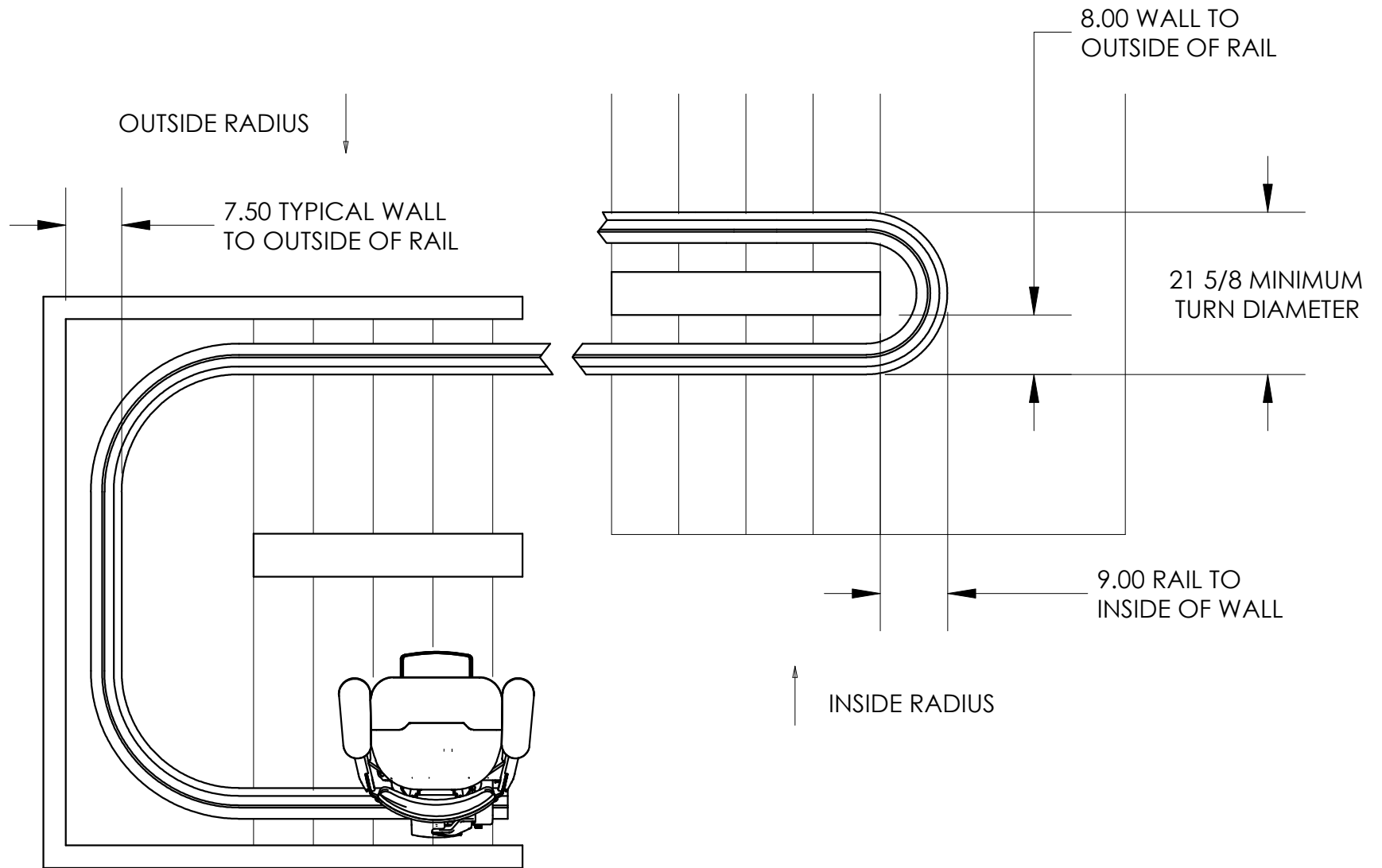
### ELEVATION VIEWS

1780 Executive Drive  
 P.O. 84  
 Oconomowoc, WI 53066  
 Tel 800-882-8181  
 Fax 262-953-5501  
 www.bruno.com

**ILS-00904**  
**SHEET 1 OF 2**  
**REV. 10-05-09**

DIMENSIONS WITH \* ARE APPROXIMATE.  
 THESE DIMENSIONS MAY VARY BASED ON  
 THE SLOPE, RISER HEIGHT, AND CUSTOM  
 SEAT ADJUSTMENTS MADE FOR THE USER.

# CRE-2110 TECH DRAWING



**ILS-00904**  
**SHEET 2 OF 2**  
**REV 10-05-09**